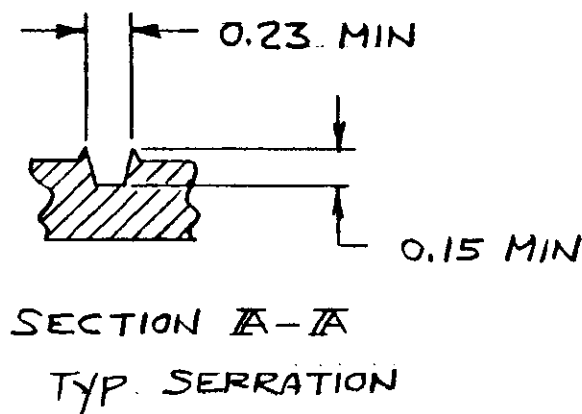
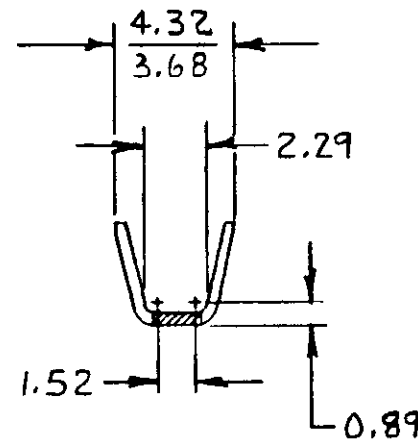
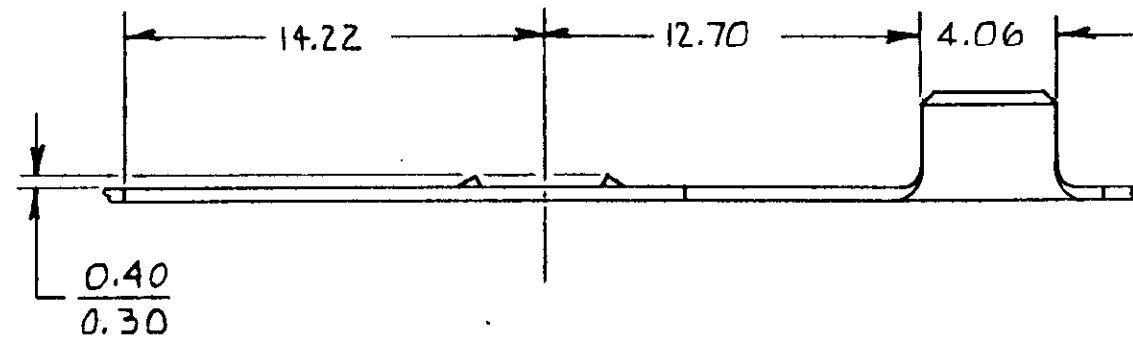
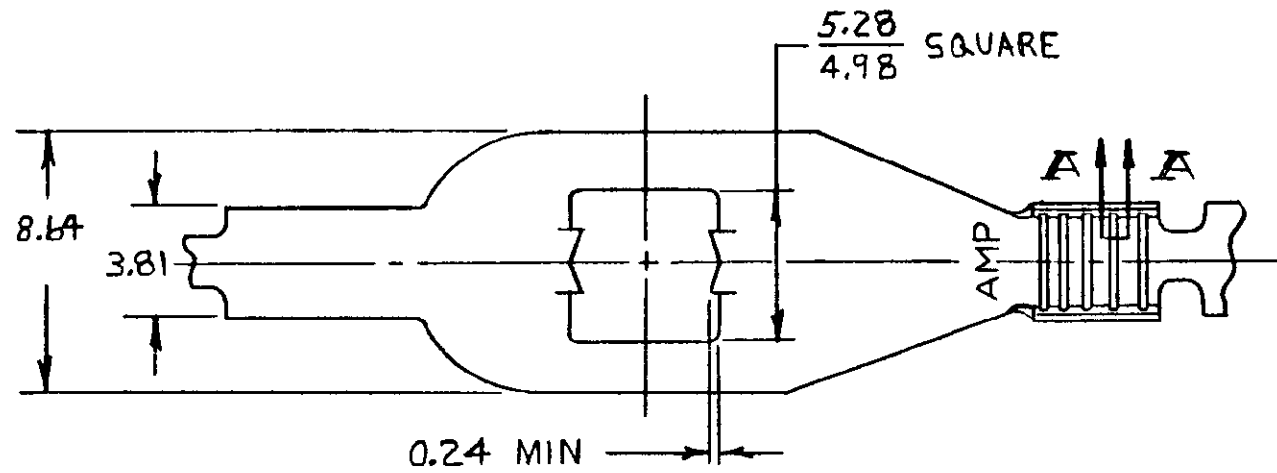


© COPYRIGHT 1981 BY AMP INCORPORATED, HARRISBURG, PA.
 ALL INTERNATIONAL RIGHTS RESERVED. AMP INCORPORATED PRODUCTS
 COVERED BY U. S. AND FOREIGN PATENTS AND/OR PATENTS PENDING.

REVISIONS						
P	F	ZONE	LTR	DESCRIPTION	DATE	APPROVED
✓	✓		D	RELEASE DRAWING PER M-6352	3-16-81	MSF/SH
✓	✓		A	ADDED SECT. A-A, M-6405	4/23/81	MS/SH
✓			A1	RESTORATION	5-23-85	KS/SS
			B	REV PER 0710-0427-95	24/8/85	PMF
			C	REVISE PER ECR-13-013738	15FEB14	GRZ/JL



METRIC

2600-4900 CMA 505079-1

WIRE RANGE PART NO

UNLESS OTHERWISE SPECIFIED DIMENSIONS ARE IN <u>MM</u> . TOLERANCES ON: DECIMALS ±0.40 ANGLES ±1°	CONTRACT NO	AMP AMP INCORPORATED Harrisburg, Pa.			
	DR <i>m. Feeher 3-16-81</i>				
	MATERIAL	CHK <i>D.S. Heide 3/17/81</i>	NAME		
	0.50 BRASS	APPD <i>[Signature]</i>	TERMINAL, STUD RETAINING, AMPLIVAR		
FINISH	APPD	SIZE	CODE IDENT NO	DRAWING NO	
	DSGN APPD	B	00779	505079	
	OTHER APPD	SCALE		SHEET	